

**PRODUCT TECHNICAL SHEET**

Collection :

**TRIO**

Ref. :

**1001.11.40**

Mélangeur lavabo monotrou, sans vidage

Eéngats wastafelmengkraan zonder lediging

Single hole sink mixer, without waste

**Picture**

**Product details**

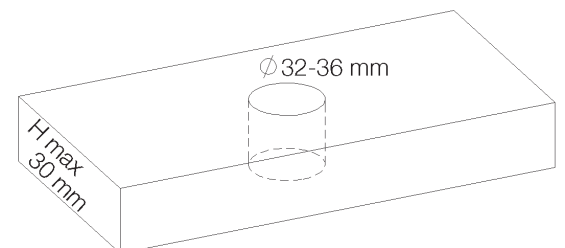
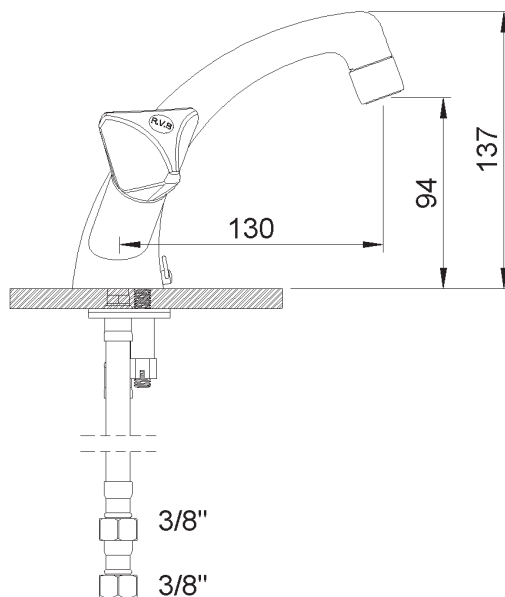


Weight : 2,0 kg

Flow at 3 bar : 7,5 l/min

Internal mechanism : 1/3 turn compression valve

**Technical drawing**



RN01/04/2012.V01